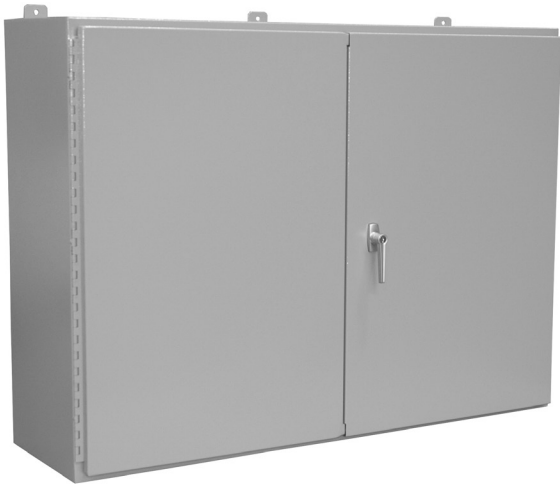


TYPE 12 PAINTED WALL MOUNTED DOUBLE DOOR ENCLOSURES

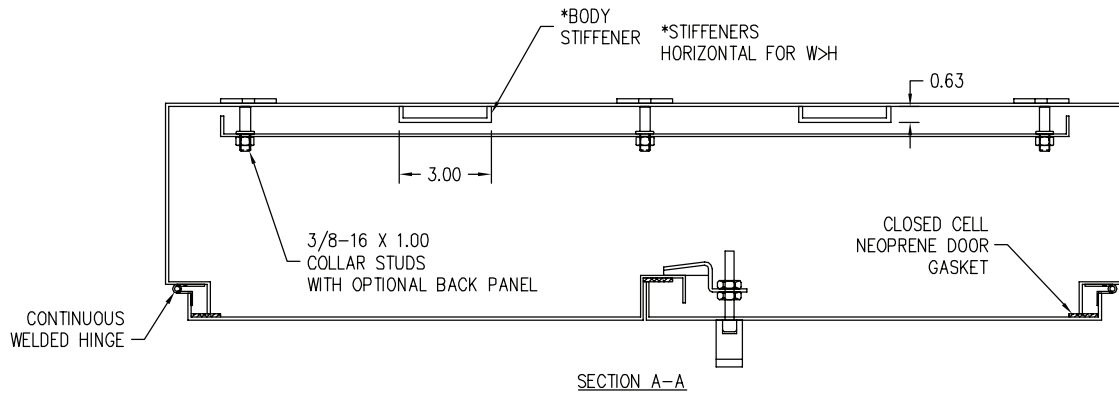
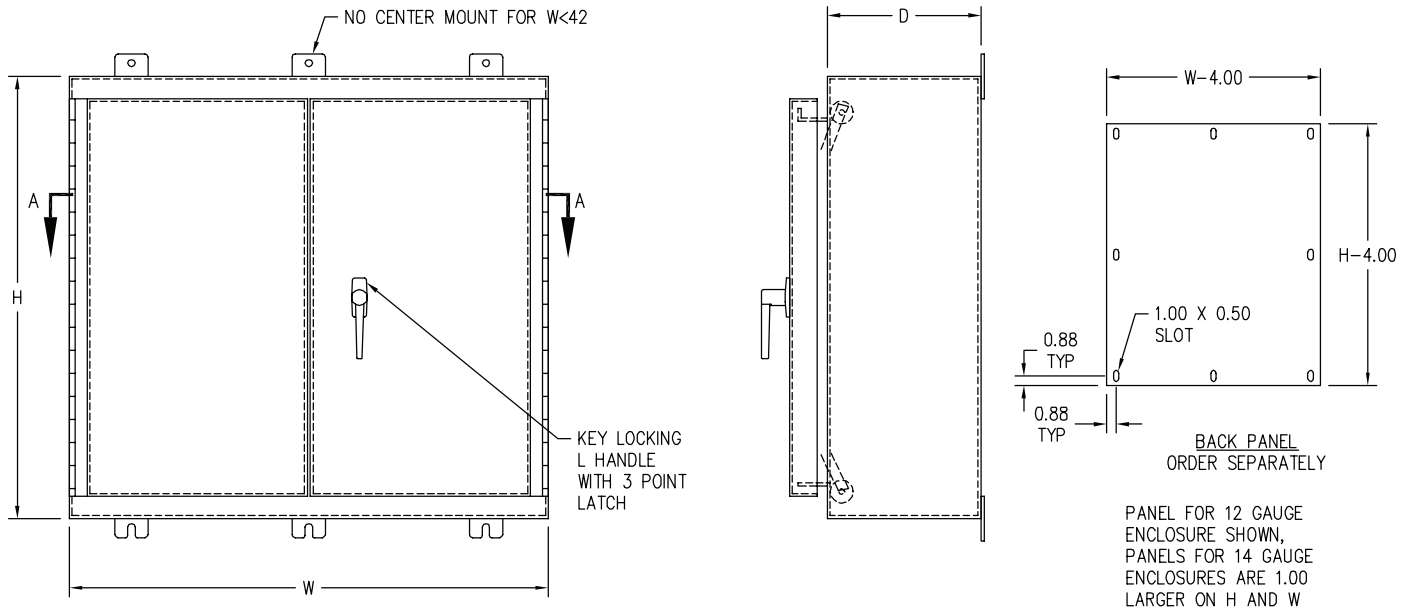


Construction: C & I Enclosures Type 12 Painted Wall Mounted Double Door Enclosures are fabricated in accordance with U.L. specifications from code gauge material. An oil resistant gasket is attached to the doors. The enclosures have overlapping doors which eliminates the need for a centerpost. A three point latch is provided which incorporates roller arms to hold the doors securely closed. The enclosures are provided with continuous hinges. All seams are continuously welded and ground smooth. External mounting feet are provided along with studs for mounting optional panels.

Finish: C & I Enclosures Type 12 Painted Wall Mounted Double Door Enclosures are provided with an ANSI 61 gray polyester powdercoating inside and out over paint grip galvanized steel.

Enclosure Size HxWxD	Catalog Number	Weight	Panel
24x42x8	I-24428WDT12	68	CI-WD2442P
24x48x8	I-24488WDT12	74	CI-WD2448P
30x42x10	I-304210WDT12	103	CI-WD3042P
30x48x10	I-304810WDT12	117	CI-WD3048P
30x60x10	I-306010WDT12	142	CI-WD3060P
36x42x12	I-364212WDT12	128	CI-WD3642P
36x48x12	I-364812WDT12	165	CI-WD3648P
36x60x12	I-366012WDT12	200	CI-WD3660P
42x60x12	I-426012WDT12	229	CI-WD4260P
48x48x12	I-484812WDT12	201	CI-WD4848P

TYPE 12 PAINTED WALL MOUNTED DOUBLE DOOR ENCLOSURES



COMPLETE DETAILS AVAILABLE ON OUR WEB SITE